

CARBOTROL®

AIR PURIFICATION SYSTEMS 90 to 1,000 CFM RADIAL FLOW



90 to 450 CFM

1000 CFM

APPLICATIONS

- Odor Control
- VOC Control
- Fugitive Emissions
- Room Odors
- Sumps and Sewage Wet Wells
- Drum Filling Operations

COMPONENTS

- 90 to 450 CFM units have blowers mounted on canister.
- 1000 CFM unit has blower on separate pallet. Pallet has fork lift fittings.
- Interconnecting piping and 8 feet of flexible suction hose included.
- Blowers are centrifugal type, direct drive, and aluminum, spark resistant construction.
- TEFC Motors standard. Explosion proof available.
- Carbon canisters can be supplied in mild steel - epoxy lined or polyethylene. Piping is PVC.

FEATURES

- Activated carbon canister and blower combined in factory assembled package.
- Supplied complete. Only requirement is power connection.
- Provided in the following capacities: 90, 175, 275, 450 and 1000 CFM.
- Blower on discharge side of canister. Vacuum operation eliminates VOC leaks.
- Regeneration of spent carbon available.
- Systems up to 450 CFM maintained in stock to meet emergency needs.

CARBOTROL provides complete systems ranging from 90 to 20,000 CFM.

© Copyright 1991 Carbtrol Corporation – 12/8/08

AT-200/#1

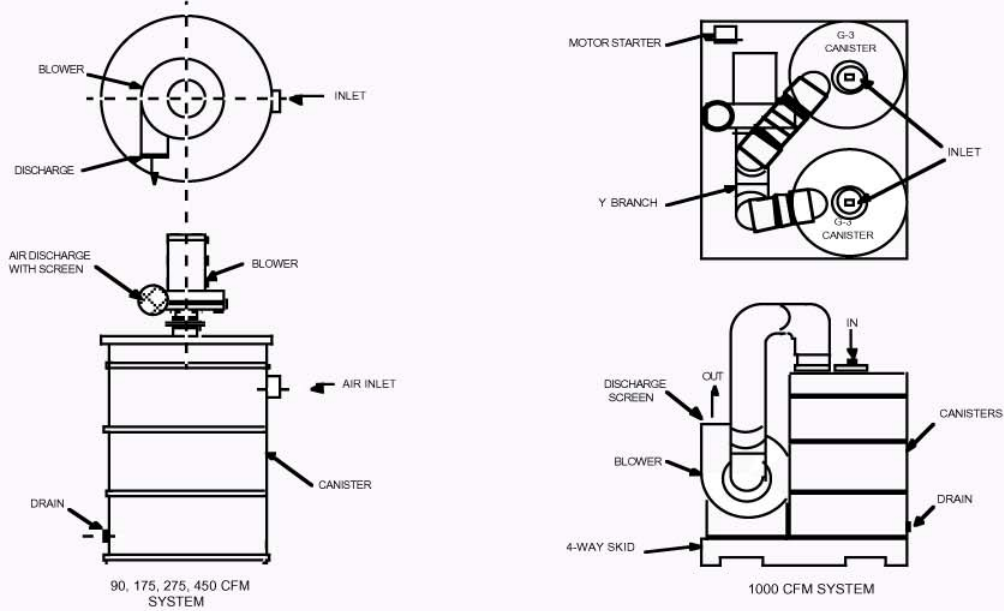
CARBOTROL®
CORPORATION

955 Connecticut Ave., Suite 5202
Bridgeport, CT 06607

800-242-1150 Fax: 203-337-4347
www.carbtrol.com info@carbtrol.com

AIR PURIFICATION SYSTEMS

ARRANGEMENT



SPECIFICATIONS

Model	G-1B90	G-2B175	G-2B275	G-3B450	G-3B1000
Capacity	90	175	275	450	1000
Carbon Weight (lbs.)	200	170	170	140	280
Number Canisters/System	1	1	1	1	2
Horsepower	1/3	1/3	1/2	3/4	3
Power Supply-Phase	1	1	1	1	3
Electrical Connection	Cord and Plug	Cord and Plug	Manual Motor Starter	Manual Motor Starter	Manual Motor Starter
Suction Hose	2 1/2"	4 5/8"	4 5/8"	4 5/8"	7"
Approx. Dimensions	24"Ø x 56"H	24"Ø x 56"H	24"Ø x 56"H	24"Ø x 58"H	4' Sq. x 51"H

SAFETY

Certain chemical compounds in the presence of activated carbon may oxidize, decompose or polymerize. This could result in temperature increases sufficient to cause ignition of the activated carbon or adsorbed material. If a compounds reaction with activated carbon is unknown, appropriate tests should be considered.