

# CARBTRON<sup>®</sup>

## AIR PURIFICATION CANISTERS 140-200 LB. ACTIVATED CARBON

G-1  
G-2  
G-3



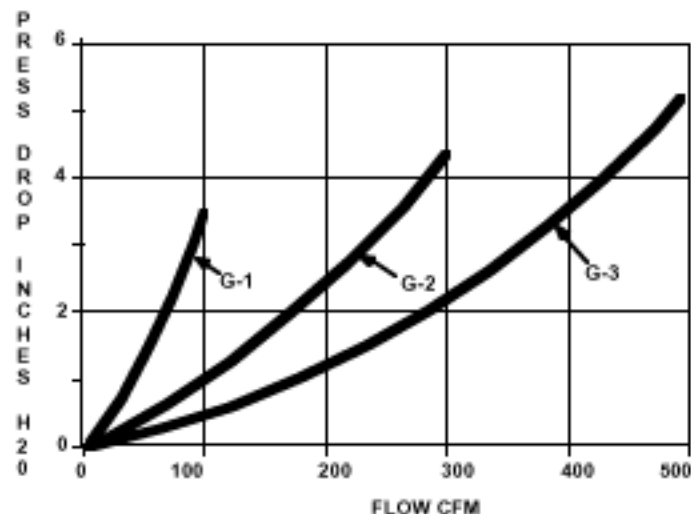
The CARBTRON "G" Canisters handles flows up to 500 CFM.

### FEATURES

- High activity carbon.
- Epoxy lined steel or polyethylene construction.
- Acceptable for transport of hazardous spent carbon.
- Side drain for removal of accumulated condensate.
- Low pressure drop.
- PVC internal piping.
- High temperature (180°F) steel units available.

### APPLICATIONS

- Soil vapor remediation
- Air stripper exhausts
- Tank vents
- Exhaust hoods
- Work area purification
- Sewage plant odor control



© Copyright 1991 Carbtronic Corporation - 10/4/02

AT-116/81

**CARBTRON<sup>®</sup>**  
CORPORATION

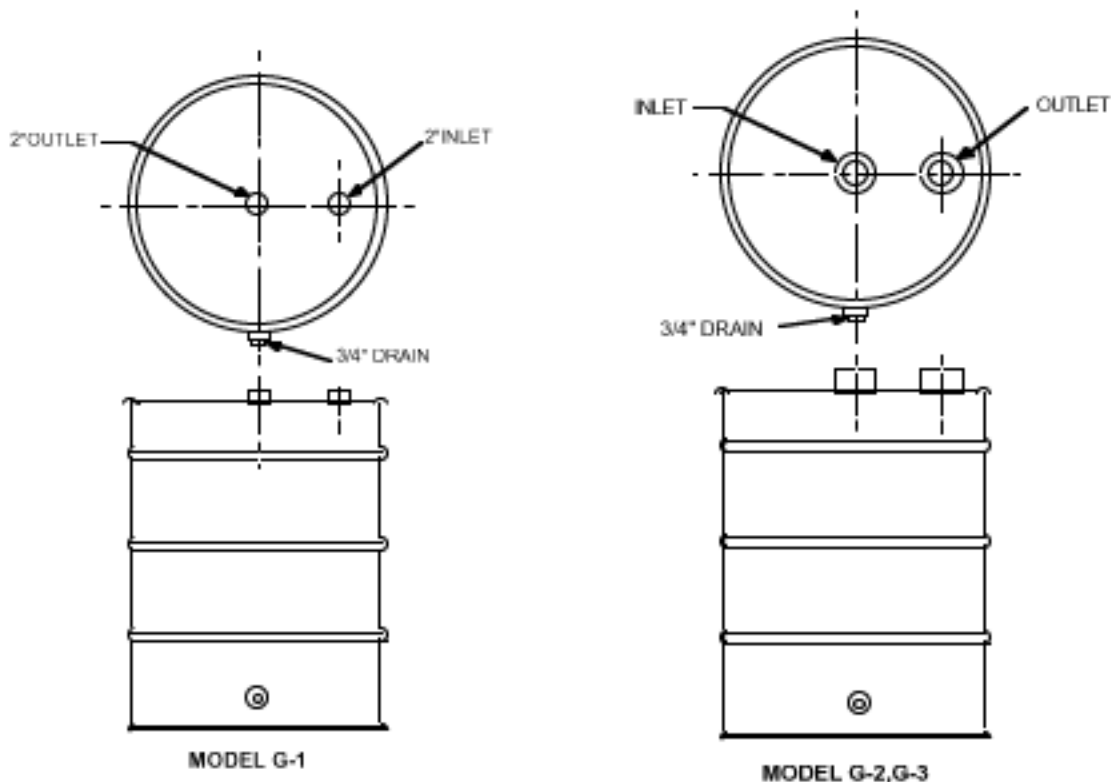
955 Connecticut Ave., Suite 5202  
Bridgeport, CT 06607

800-242-1150 Fax: 203-337-4347  
[www.carbtronic.com](http://www.carbtronic.com) [info@carbtronic.com](mailto:info@carbtronic.com)

# CARBOTROL®

## AIR PURIFICATION CANISTERS 140-200 LB. ACTIVATED CARBON

G-1  
G-2  
G-3



### SPECIFICATIONS

<u>MODEL</u>	<u>DIAMETER/HEIGHT</u>	<u>CARBON WEIGHT</u>	<u>INLET/OUTLET</u>	<u>MAXIMUM RATED FLOW</u>	<u>APPROXIMATE SHIP WEIGHT</u>
G-1*	24"/36"	200 lbs.	2"/2"	100 CFM	250 lbs.
G-2*	24"/36"	170 lbs.	4"/4"	300 CFM	220 lbs.
G-3P	24"/36"	140 lbs.	6"/6"	500 CFM	190 lbs.
G-3S	24"/34"	140 lbs.	4"/4"	500 CFM	180 lbs.

\* Specify: Polyethylene (P) or Epoxy Lined Steel (S)

#### **SAFETY**

Certain chemical compounds in the presence of activated carbon may oxidize, decompose or polymerize. This could result in temperature increases sufficient to cause ignition of the activated carbon or adsorbed material. If a compounds reaction with activated carbon is unknown, appropriate tests should be considered.

**CARBOTROL®**  
CORPORATION

955 Connecticut Ave., Suite 5202  
Bridgeport, CT 06607

800-242-1150 Fax: 203-337-4347  
[www.carbtrol.com](http://www.carbtrol.com) [info@carbtrol.com](mailto:info@carbtrol.com)