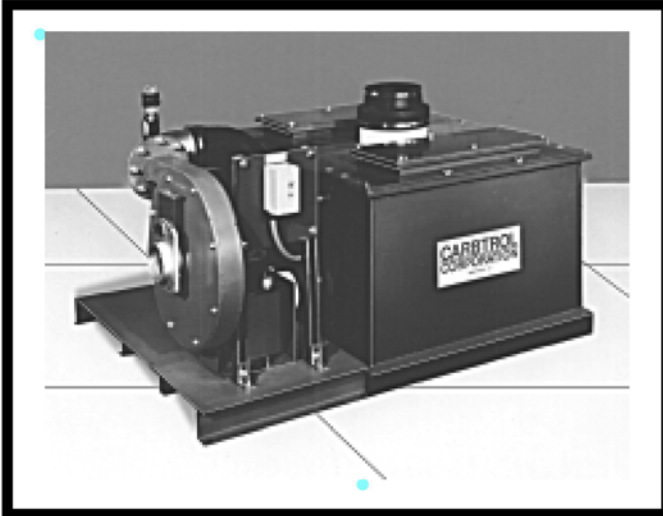


CARBTRON[®]

MULTI-STAGE DIFFUSED AIR STRIPPER - RESISTANT TO IRON FOULING -



FEATURES

- Easy to clean - No trays or packing to plug. Quick removable cleanout cover allows easy access to aeration compartment.
- High efficiency - removals up to 99.99%.
- Multiple stages to handle varying treatment requirements.
- Standard design up to 50 gpm.
- Very low profile.

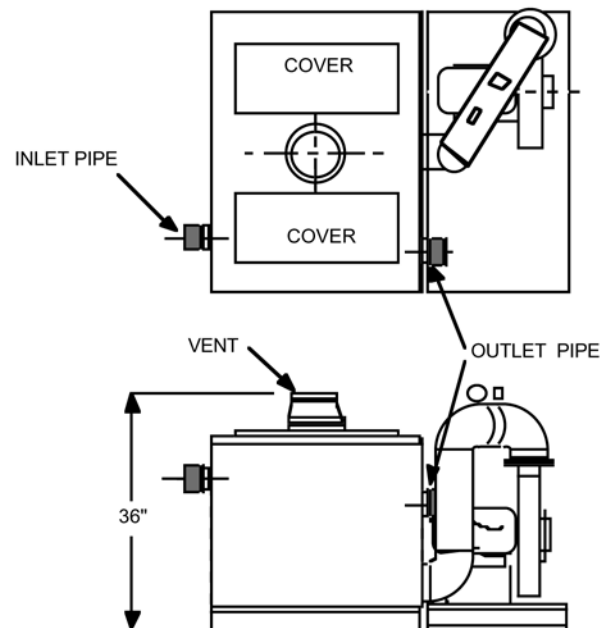
COMPONENTS

- Aeration compartments - PVC Construction with UV protection.
- Blowers - centrifugal type, direct drive, anti-spark.
- Motors and starters - TEFC or Explosion Proof.
- Two skids - one for blower, one for aeration compartment.

SPECIFICATIONS

<u>MODEL/ STAGES</u>	<u>CFM*</u>	<u>HP</u>	<u>APPROXIMATE FOOTPRINT</u>
MSD-2	100 / 200	2 / 2	4' x 3'-9"
MSD-4	200 / 400	2 / 5	4' x 5'-4"
MSD-6	300 / 600	3 / 7.5	4' x 6'-11"
MSD-8	400 / 800	5 / 7.5	4' x 8'-6"
MSD-12	600 / 1200	7.5 / 10	4' x 12'-4"

* Each aeration compartment is designed for either 50 CFM (normal operation) or 100 CFM (high air flow operation).



FOUR STAGE STRIPPER

© Copyright 1991 Carbtron Corporation -1/6/00

AT-750/#1

CARBTRON[®]
CORPORATION

955 Connecticut Ave., Suite 5202
Bridgeport, CT 06607

800-242-1150 Fax: 203-337-4347
www.carbtron.com info@carbtron.com