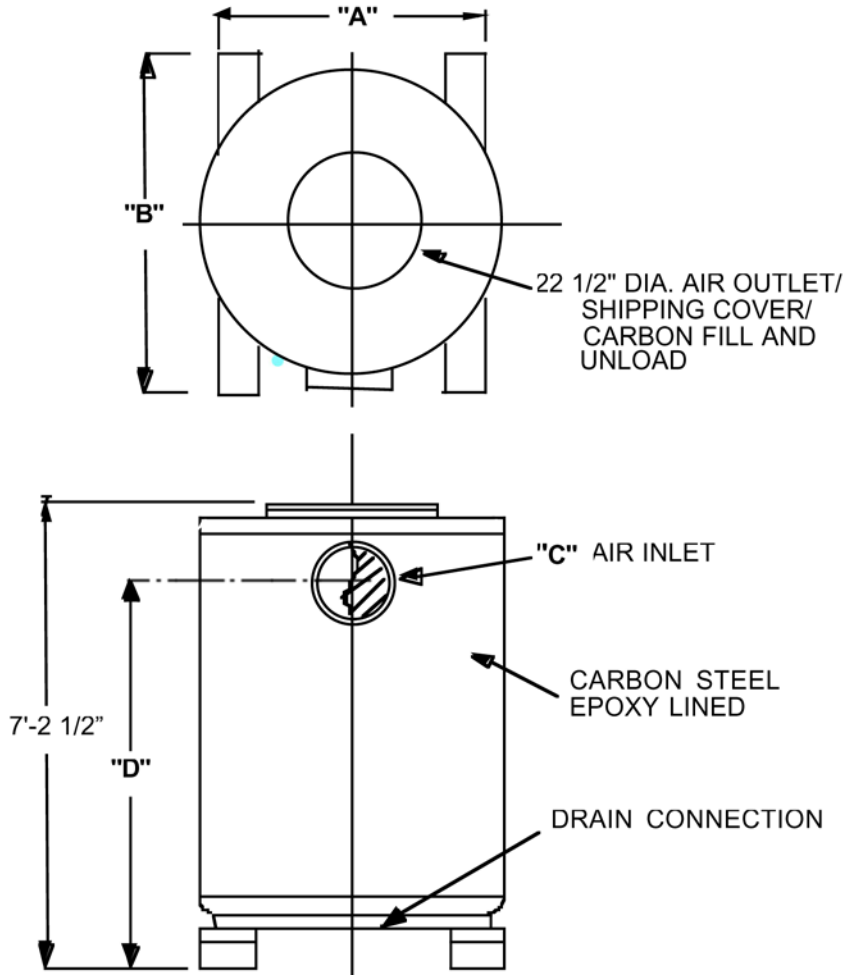


CARBTROL®

AIR PURIFICATION ADSORBERS 1,600 LB. ACTIVATED CARBON G-7 2,600 LB. ACTIVATED CARBON G-8



	DIMENSION				SHIPPING WEIGHT
	"A"	"B"	"C"	"D"	
G-7	3'-5"	4'-0"	12"Ø	5'-11"	2600 LBS
G-8	3'-5"	5'-0"	16"Ø	5'-6 1/2"	3800 LBS

SAFETY

Certain chemical compounds in the presence of activated carbon may oxidize, decompose or polymerize. This could result in temperature increases sufficient to cause ignition of the activated carbon or adsorbed material. If a compounds reaction with activated carbon is unknown, appropriate tests should be considered